



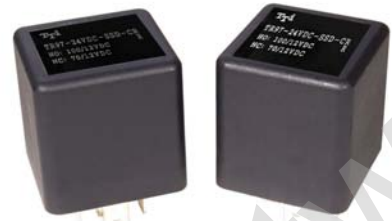
TR97

➤ MAIN FEATURES

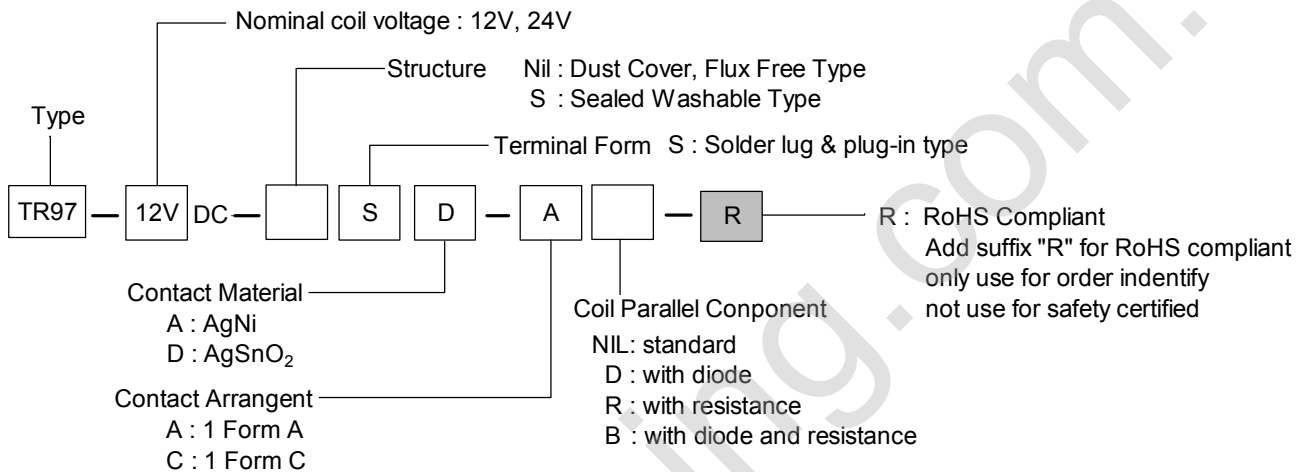
- Miniature;
- Contact load capacity up to 150A;
- Terminal types as inserting;

➤ APPLICATIONS

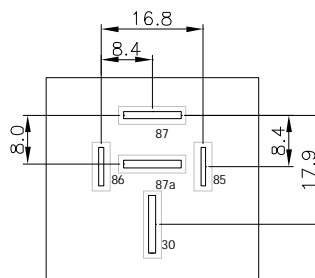
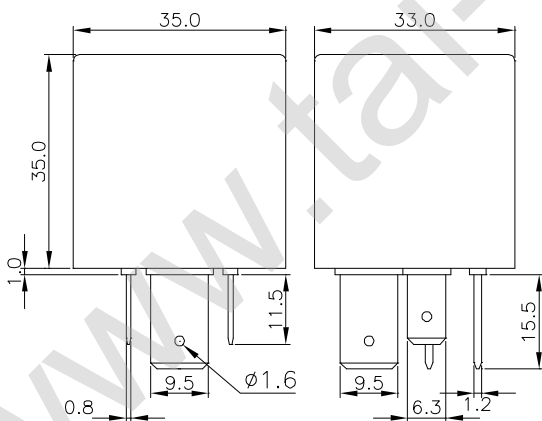
- Suitable for automobile.



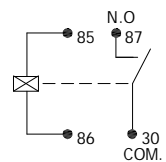
➤ ORDERING INFORMATION



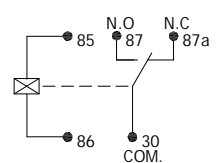
■ DIMENSION (unit:mm) ■ DRILLING (unit:mm) ■ WIRING DIAGRAM



1 Form A (1A)



1 Form C (1C)



➤ **COIL DATA CHART**(at 20°C)

Coil Sensitivity	Coil Voltage (VDC) Rated	Nominal Current (mA)	Coil Resistance (Ω) $\pm 10\%$	Coil Power (W)	Pickup voltage (VDC) Max. (65% of rated voltage)	Release voltage (VDC) Min. (10% of rated voltage)	Coil Voltage (VDC) Max.
TR97	12	240.0	50	2.9	7.8	1.2	15.6
	24	123.1	195		15.6	2.4	31.2

➤ **CONTACT RATING**

Item	Type	TR97	
		1 Form A	1 Form C
Contact Capacity Resistive Load ($\cos\phi = 1$)		100A/12VDC	NO : 100A/12VDC NC : 70A/12VDC
Max. Switching Voltage		75VDC	
Max. Switching Current		100A	
Max. Switching Power Force		1200W	
Referenced Min. Applicable Load		200mV	
Contact Material		Ag Alloy	

➤ **PERFORMANCE** (at initial value)

Item	Type	TR97
Contact Resistance		100m Ω
Operation Time		Approx. 10msec
Release Time		Approx. 5msec
Dielectric Strength	Between open contacts Between coil & contact	750VAC 1000VAC
Shock Resistance	Functional Survival	147m/s ² 11ms 147m/s ² 11ms
Vibration Resistance	Functional Survival	1.5mm D.A. 10 to 40Hz 1.5mm D.A. 10 to 40Hz
Terminals Strength		30N
Temperature Range		-40°C ~125°C
Relative Humidity		85% (at 40°C)
Insulation Resistance		100 M Ω Min. (at 500VDC)
Life Expectancy	Electrically Mechanically	1 \times 10 ⁵ ops. Min. 1 \times 10 ⁷ ops. Min.
Weight		65g

This datasheet for reference and subject to change without notice. Please double check final specification with Tai-Shing. (0939AA08VOL01)