



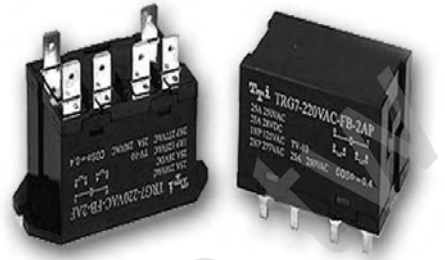
# TRG7

## MAIN FEATURES

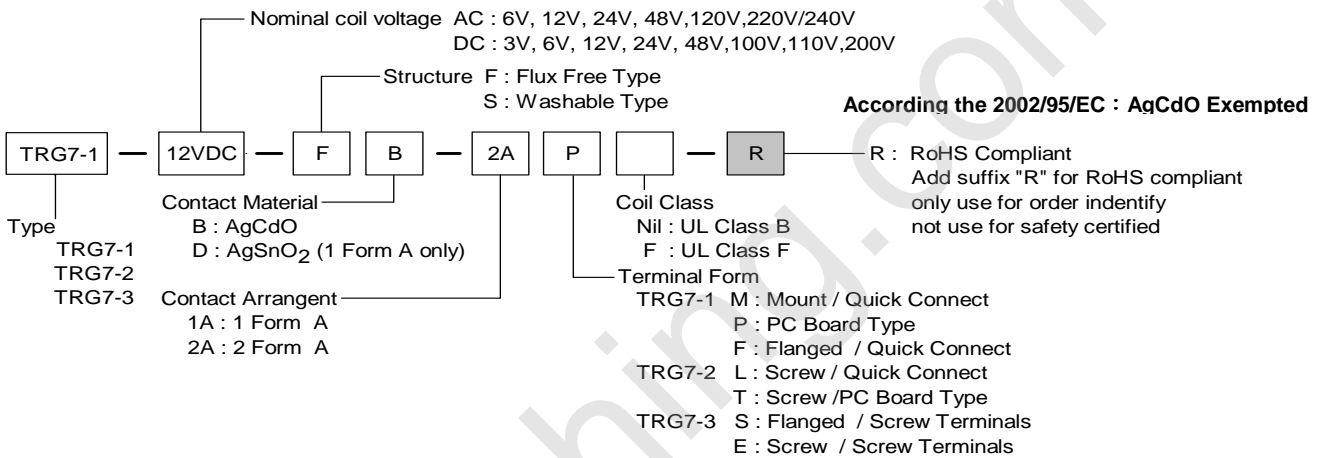
- 30A switching capabilities
- SPST-NO and SPDT configurations
- 4KV dielectric coil to contacts
- Heavy load up to 7500VA
- UL & cUL recognized.

## APPLICATIONS

- Home appliance: Air conditioners, Microwave ovens, TV-set, Heaters, Stereo.
- Office equipment: Copiers, Vending Machine.
- U.P.S source circuit control , etc.



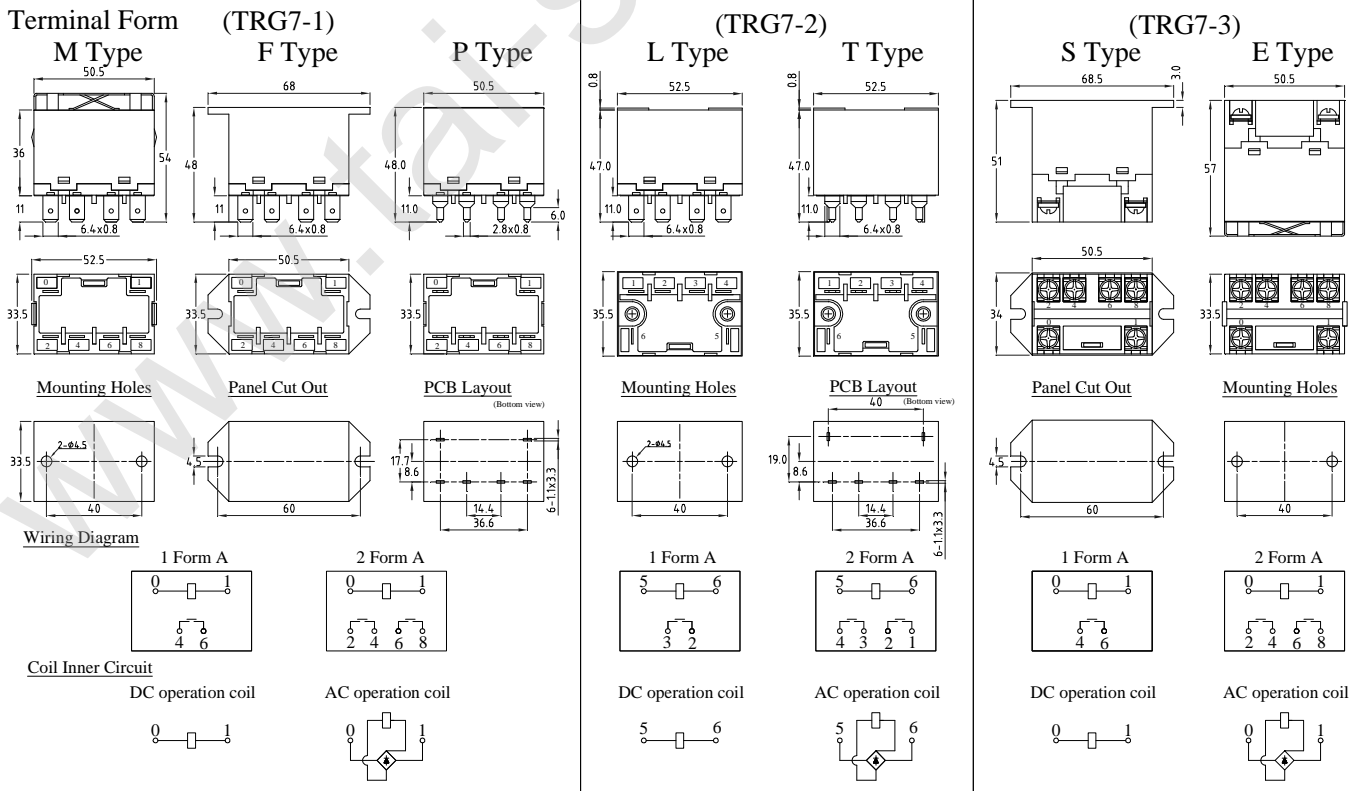
## ORDERING INFORMATION



## DIMENSION (unit:mm)

## DRILLING (unit:mm)

## WIRING DIAGRAM



### ➤ COIL DATA CHART (at 20°C)

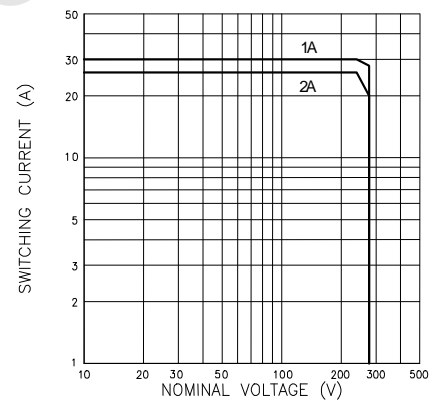
Nominal Voltage	Pick-Up Voltage	Drop-out voltage	Nominal Current	Coil resistance	Power consumption	Max. allowable Voltage
AC Type (at 20°C)						
VAC	VAC(Max.)	VAC(Min.)	mA(+15%,-20%)	Ω (±10%)	(VA)	(VAC)
6	4.8	0.9	275	18.8	Approx. 2.7	110% of nominal voltage
12	9.6	1.8	138	75		
24	19.2	3.6	74	300		
48	38.4	7.2	39	1200		
120	96.0	18	22.1	5200		
220	176.0	48	9.5	20800		
DC Type (at 20°C)						
VDC	VDC(Max.)	VDC(Min.)	mA(±10%)	Ω (±10%)	(W)	(VDC)
3	2.25	0.3	638	4.7	Approx. 1.9	110% of nominal voltage
6	4.5	0.6	319	18.8		
12	9.0	1.2	160	75		
24	18.0	2.4	80	300		
48	36.0	4.8	40	1200		
100	75.0	10.0	19.23	5200		
110	82.5	12.0	17.46	6300		
200	150.0	20.0	9.52	21000		

### ➤ CONTACT RATING

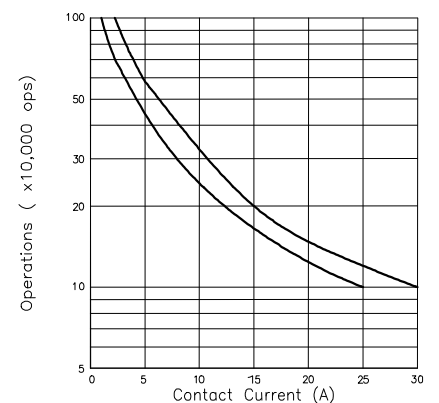
Item	Type	TRG7	
		1 Form A	2 Form A
Contact Capacity		30A 277VAC	25A 277VAC
Resistive Load (cosΦ=1)		3HP 240VAC TV-10 120VAC	2HP 240VAC TV-10 120VAC
Rated Carrying Current		30A	25A
Max. Allowable Voltage		277VAC	
Max. Allowable Current		30A	25A
Max. Allowable Power Force		8310VA	6925VA
Contact Material		Ag Alloy	

### ➤ REFERENCE DATA

Contact Capacity



Life Curve



### ➤ PERFORMANCE (at initial value)

Item	Type	TRG7
Contact Resistance		Max. 100mΩ
Operation time (at nominal voltage)		Max. 30msec
Release time (at nominal voltage)		Max. 30msec
Operating frequency		20 ops/minute
Insulation resistance		Min. 1000MΩ(at 500VDC)
Vibration resistance		10 Hz to 55 Hz, at double amplitude of 1.5mm
Shock resistance		98m/s <sup>2</sup> Malfunction. 980m/s <sup>2</sup> Mechanical.
Dielectric strength		4000VAC. For 1minute between coil and contacts. 2000VAC. For 1minute between open contacts.
Ambient temperature		-55°C to +70°C
Humidity		98%, +40°C
Life expectancy		
Mechanically		1 x 10 <sup>6</sup> operations
Electrically		1 x 10 <sup>5</sup> operations (at rated load)
Weight		
SCREW TYPE		abt 120grs.
PC BOARD TYPE		abt 100grs.
UL & cUL		E156406

This datasheet for reference and subject to change without notice. Please double check final specification with Tai-Shing. (1029A08VOL01)