

SAD SERIES SOLID STATE RELAY

SAD-100K010S-1 SAD-100K025S-1

AC Control DC Loading S.S.R



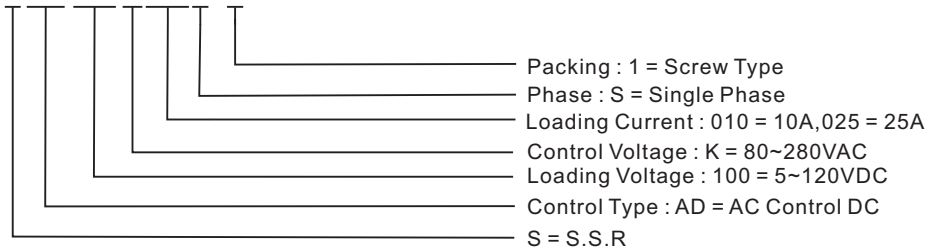
Specifications

MODEL SERIES NO.	CONTROL VOLTAGE	MUST TURN OFF VOLTAGE	INPUT IMPEDANCE	LOADING CURRENT	LOADING VOLTAGE	MIN BLOCKING VOLTAGE	MAX OFF-STATE LEAKAGE	FREQUENCY RANGE	MAX 1-CYCLE PEAK SURGE
SAD-100K010S-1	80 - 280 VAC	MAX 1.0 VDC	1.5 KΩ	10A	5 ~ 120VDC	140VDC	LESS 3 mA	47-70HZ	15A
SAD-100K025S-1	80 - 280 VAC	MAX 1.0 VDC	1.5 KΩ	25A	5 ~ 120VDC	140VDC	LESS 3 mA	47-70HZ	35A

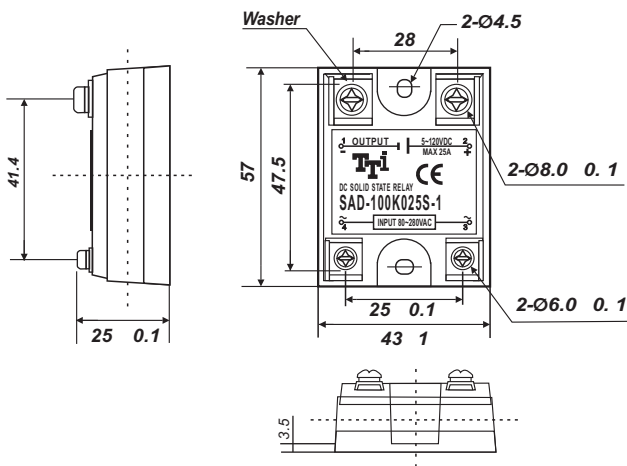
MODEL SERIES NO.	MAX OFF STATE dv/dt	MAX ON-STATE VOLTAGE DROP	ISOLATE IMPEDENCE	DIELECTRIC STRENGTH INPUT-OUTPUT	DIELECTRIC STRENGTH INPUT-OUTPUT-CASE	TURN ON TIME	TURN OFF TIME	CAPACITANCE IN-OUT	WEIGHT (g)
SAD-100K010S-1	100 V/μ sec	2.0Vrms	10 ⁹ Ω	4000 VACrms	4000 VACrms	LESS 2 msec	LESS 2 msec	LESS 15 PF	95 g
SAD-100K025S-1	100 V/μ sec	2.0Vrms	10 ⁹ Ω	4000 VACrms	4000 VACrms	LESS 2 msec	LESS 2 msec	LESS 15 PF	95 g

Parts No.

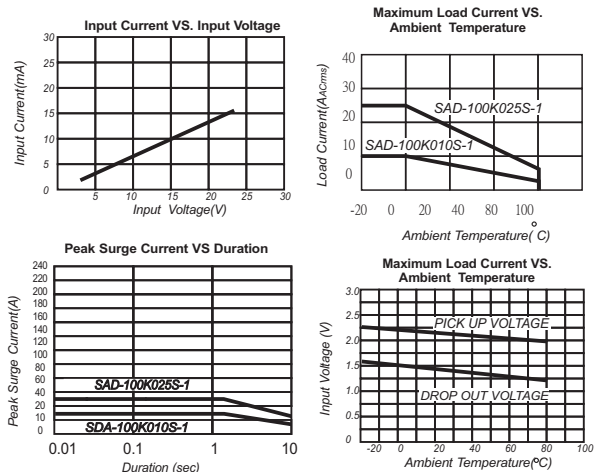
SAD-100K010S-1



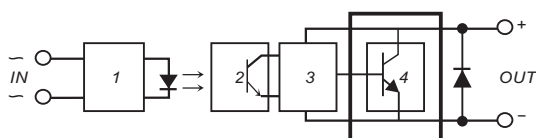
Outline Dimensions(Unit : mm)



Characteristic Curves



Equivalent Circuit



1. Input Circuit
2. Photo Detector
3. Amplifier
4. Protect Circuit