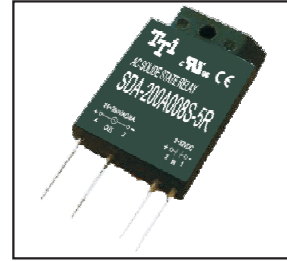


SDA SERIES SOLID STATE RELAY

SDA-200A008S-5R
SDA-200A012S-5R
SDA-200A016S-5R

DC Control AC Loading S.S.R



Specifications

| MODEL SERIES NO. | CONTROL VOLTAGE | MUST TURN OFF VOLTAGE | INPUT IMPEDANCE | LOADING CURRENT | LOADING VOLTAGE | MIN BLOCKING VOLTAGE | MAX OFF-STATE LEAKAGE | FREQUENCY RANGE | MAX 1-CYCLE PEAK SURGE |
|------------------|-----------------|-----------------------|-----------------|-----------------|-----------------|----------------------|-----------------------|-----------------|------------------------|
| SDA-200A008S-5R | 3 - 32 VDC | MAX 1.0 VDC | 1.5 KΩ | 8A | 24 ~ 280VAC | 600VAC | LESS 3 mA | 47-70HZ | 80A |
| SDA-200A012S-5R | 3 - 32 VDC | MAX 1.0 VDC | 1.5 KΩ | 12A | 24 ~ 280VAC | 600VAC | LESS 3 mA | 47-70HZ | 120A |
| SDA-200A016S-5R | 3 - 32 VDC | MAX 1.0 VDC | 1.5 KΩ | 16A | 24 ~ 280VAC | 600VAC | LESS 3 mA | 47-70HZ | 160A |

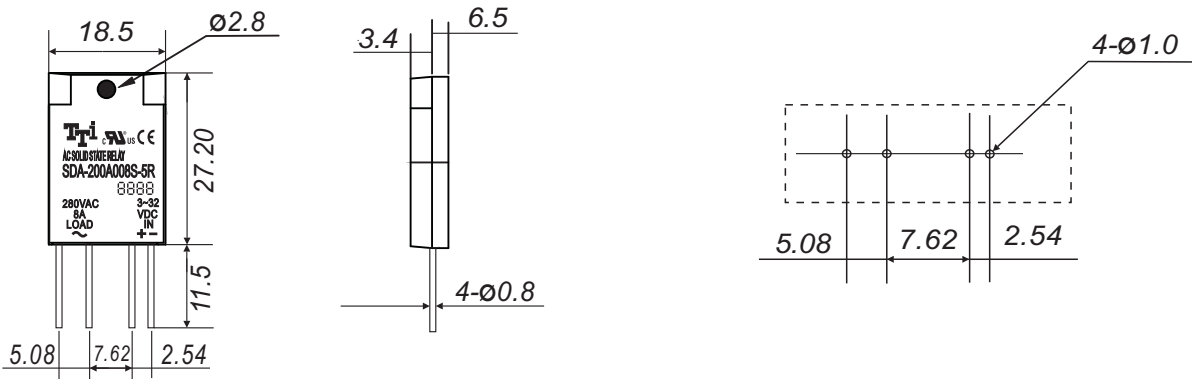
| MODEL SERIES NO. | MAX OFF STATE dv/dt | MAX ON-STATE VOLTAGE DROP | ISOLATE IMPEDENCE | DIELECTRIC STRENGTH INPUT-OUTPUT | DIELECTRIC STRENGTH INPUT-OUTPUT-CASE | TURN ON TIME | TURN OFF TIME | CAPACITANCE IN-OUT | WEIGHT (g) |
|------------------|---------------------|---------------------------|-------------------|----------------------------------|---------------------------------------|--------------|-------------------|--------------------|------------|
| SDA-200A008S-5R | 200 V/μsec | 2.0Vrms | 10 ⁹ Ω | 2500 VACrms | — | LESS 2 msec | LESS 1/2 AC CYCLE | LESS 15 PF | 12 g |
| SDA-200A012S-5R | 200 V/μsec | 2.0Vrms | 10 ⁹ Ω | 2500 VACrms | — | LESS 2 msec | LESS 1/2 AC CYCLE | LESS 15 PF | 12 g |
| SDA-200A016S-5R | 200 V/μsec | 2.0Vrms | 10 ⁹ Ω | 2500 VACrms | — | LESS 2 msec | LESS 1/2 AC CYCLE | LESS 15 PF | 12 g |

Parts No.

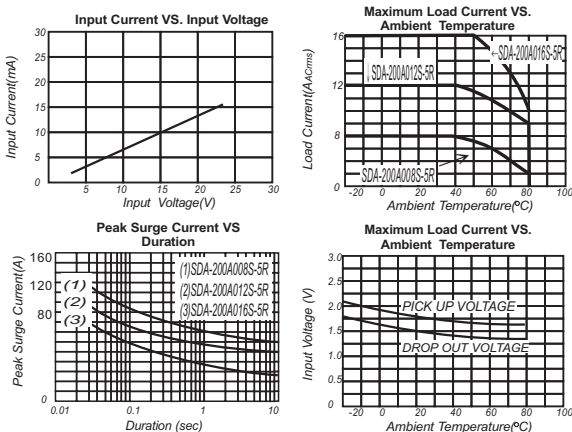
SDA-200A008S-5R

- Switching Type : R = Random Switching
- Packing : 5 = SIP of IC Packing Type
- Phase : S = Single Phase
- Loading Current : 008 = 8A, 012 = 12A, 016 = 16A
- Control Voltage : A = 3-32VDC
- Loading Voltage : 200 = 24~280VAC
- Control Type : DA = DC Control AC
- S = S.S.R

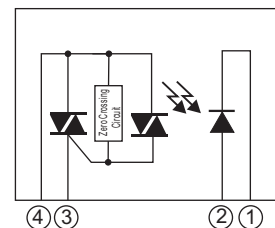
Outline Dimensions(Unit : mm)



Characteristic Curves



Equivalent Circuit



1. Input Circuit
2. Photo Detector
3. Zero-Crossing Circuit
4. Output Circuit