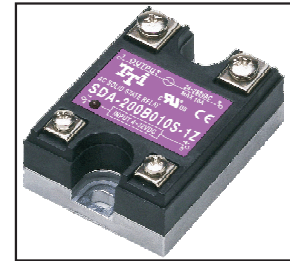


SDA SERIES SOLID STATE RELAY

SDA-200B010S-1Z
SDA-200B015S-1Z
SDA-200B025S-1Z
SDA-200B040S-1Z
SDA-200B050S-1Z
SDA-200B075S-1Z
SDA-200B090S-1Z
SDA-200B100S-1Z
SDA-200B125S-1Z

DC Control AC Loading S.S.R



Specifications

MODEL SERIES NO.	CONTROL VOLTAGE	MUST TURN OFF VOLTAGE	INPUT IMPEDANCE	LOADING CURRENT	LOADING VOLTAGE	MIN BLOCKING VOLTAGE	MAX OFF-STATE LEAKAGE	FREQUENCY RANGE	MAX 1-CYCLE PEAK SURGE
SDA-200B010S-1Z	4 - 32 VDC	MAX 1.0 VDC	1.5 KΩ	10A	24 ~ 280VAC	600VAC	LESS 3 mA	47-70HZ	100A
SDA-200B015S-1Z	4 - 32 VDC	MAX 1.0 VDC	1.5 KΩ	15A	24 ~ 280VAC	600VAC	LESS 3 mA	47-70HZ	150A
SDA-200B025S-1Z	4 - 32 VDC	MAX 1.0 VDC	1.5 KΩ	25A	24 ~ 280VAC	600VAC	LESS 3 mA	47-70HZ	250A
SDA-200B040S-1Z	4 - 32 VDC	MAX 1.0 VDC	1.5 KΩ	40A	24 ~ 280VAC	600VAC	LESS 3 mA	47-70HZ	400A
SDA-200B050S-1Z	4 - 32 VDC	MAX 1.0 VDC	1.5 KΩ	50A	24 ~ 280VAC	600VAC	LESS 3 mA	47-70HZ	500A
SDA-200B075S-1Z	4 - 32 VDC	MAX 1.0 VDC	1.5 KΩ	75A	24 ~ 280VAC	600VAC	LESS 3 mA	47-70HZ	750A
SDA-200B090S-1Z	4 - 32 VDC	MAX 1.0 VDC	1.5 KΩ	90A	24 ~ 280VAC	600VAC	LESS 3 mA	47-70HZ	900A
SDA-200B100S-1Z	4 - 32 VDC	MAX 1.0 VDC	1.5 KΩ	100A	24 ~ 280VAC	600VAC	LESS 3 mA	47-70HZ	1000A
SDA-200B125S-1Z	4 - 32 VDC	MAX 1.0 VDC	1.5 KΩ	125A	24 ~ 280VAC	600VAC	LESS 3 mA	47-70HZ	1250A

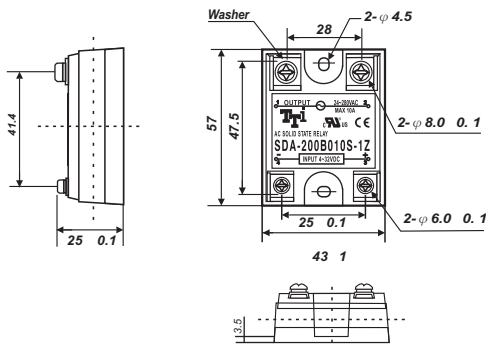
MODEL SERIES NO.	MAX OFF STATE dv/dt	MAX ON-STATE VOLTAGE DROP	ISOLATE IMPEDENCE	DIELECTRIC STRENGTH INPUT-OUTPUT	DIELECTRIC STRENGTH INPUT-OUTPUT-CASE	TURN ON TIME	TURN OFF TIME	CAPACITANCE IN-OUT	WEIGHT (g)
SDA-200B010S-1Z	500 V/μsec	2.0Vrms	10 ⁹ Ω	4000 VACrms	4000 VACrms	LESS 2 msec	LESS 1/2 AC CYCLE	LESS 15 PF	100 g
SDA-200B015S-1Z	500 V/μsec	2.0Vrms	10 ⁹ Ω	4000 VACrms	4000 VACrms	LESS 2 msec	LESS 1/2 AC CYCLE	LESS 15 PF	100 g
SDA-200B025S-1Z	500 V/μsec	2.0Vrms	10 ⁹ Ω	4000 VACrms	4000 VACrms	LESS 2 msec	LESS 1/2 AC CYCLE	LESS 15 PF	100 g
SDA-200B040S-1Z	500 V/μsec	2.0Vrms	10 ⁹ Ω	4000 VACrms	4000 VACrms	LESS 2 msec	LESS 1/2 AC CYCLE	LESS 15 PF	100 g
SDA-200B050S-1Z	500 V/μsec	2.0Vrms	10 ⁹ Ω	4000 VACrms	4000 VACrms	LESS 2 msec	LESS 1/2 AC CYCLE	LESS 15 PF	100 g
SDA-200B075S-1Z	500 V/μsec	2.0Vrms	10 ⁹ Ω	4000 VACrms	4000 VACrms	LESS 2 msec	LESS 1/2 AC CYCLE	LESS 15 PF	100 g
SDA-200B090S-1Z	500 V/μsec	2.0Vrms	10 ⁹ Ω	4000 VACrms	4000 VACrms	LESS 2 msec	LESS 1/2 AC CYCLE	LESS 15 PF	100 g
SDA-200B100S-1Z	500 V/μsec	2.0Vrms	10 ⁹ Ω	4000 VACrms	4000 VACrms	LESS 2 msec	LESS 1/2 AC CYCLE	LESS 15 PF	100 g
SDA-200B125S-1Z	500 V/μsec	2.0Vrms	10 ⁹ Ω	4000 VACrms	4000 VACrms	LESS 2 msec	LESS 1/2 AC CYCLE	LESS 15 PF	100 g

Parts No.

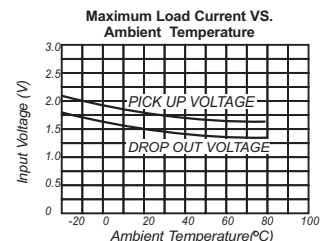
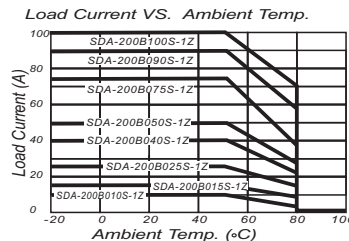
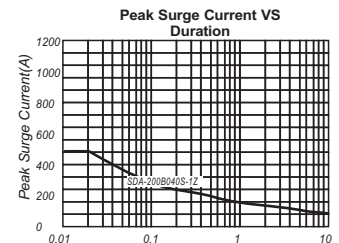
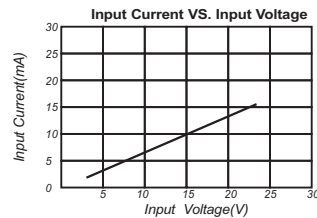
SDA-200B010S-1Z

Switching Type : Z = Zero Crossing
 Packing : 1 = Screw Type
 Phase : S = Single Phase
 Loading Current : 010 = 10A, 015 = 15A, 025 = 25A, 040 = 40A, 050 = 50A, 075 = 75A, 090 = 90A, 100 = 100A, 125 = 125A
 Control Voltage : B = 4-32VDC
 Loading Voltage : 200 = 24~280VAC
 Control Type : DA = DC Control AC
 S = S.S.R

Outline Dimensions(Unit : mm)



Characteristic Curves



Equivalent Circuit

