

SDD SERIES SOLID STATE RELAY

SDD-200A010S-1
SDD-200A025S-1
SDD-200A040S-1
SDD-200A050S-1
SDD-200A075S-1

DC Control DC Loading S.S.R



Specifications

MODEL SERIES NO.	CONTROL VOLTAGE	MUST TURN OFF VOLTAGE	INPUT IMPEDANCE	LOADING CURRENT	LOADING VOLTAGE	MIN BLOCKING VOLTAGE	MAX OFF-STATE LEAKAGE	FREQUENCY RANGE	MAX 1-CYCLE PEAK SURGE
SDD-200A010S-1	4 - 32 VDC	MAX 1.0 VDC	1.5 KΩ	10A	5 ~ 240VDC	140VDC	LESS 3 mA	47-70HZ	50A
SDD-200A025S-1	4 - 32 VDC	MAX 1.0 VDC	1.5 KΩ	25A	5 ~ 240VDC	140VDC	LESS 3 mA	47-70HZ	100A
SDD-200A040S-1	4 - 32 VDC	MAX 1.0 VDC	1.5 KΩ	40A	5 ~ 240VDC	140VDC	LESS 3 mA	47-70HZ	200A
SDD-200A050S-1	4 - 32 VDC	MAX 1.0 VDC	1.5 KΩ	50A	5 ~ 240VDC	140VDC	LESS 3 mA	47-70HZ	250A
SDD-200A075S-1	4 - 32 VDC	MAX 1.0 VDC	1.5 KΩ	75A	5 ~ 240VDC	140VDC	LESS 3 mA	47-70HZ	375A

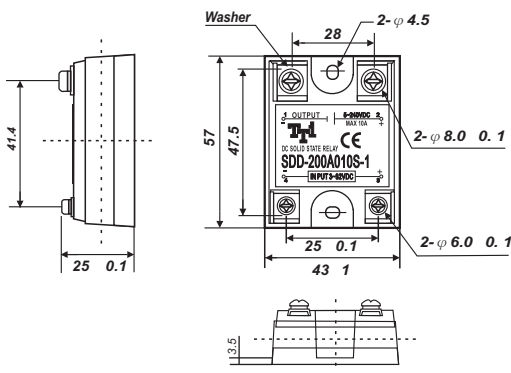
MODEL SERIES NO.	MAX OFF STATE dv/dt	MAX ON-STATE VOLTAGE DROP	ISOLATE IMPEDENCE	DIELECTRIC STRENGTH INPUT-OUTPUT	DIELECTRIC STRENGTH INPUT-OUTPUT-GASE	TURN ON TIME	TURN OFF TIME	CAPACITANCE IN-OUT	WEIGHT (g)
SDD-200A010S-1	200 V/μsec	2.0Vrms	10 ⁹ Ω	4000 VACrms	4000 VACrms	LESS 2 msec	LESS 2 msec	LESS 15 PF	100 g
SDD-200A025S-1	200 V/μsec	2.0Vrms	10 ⁹ Ω	4000 VACrms	4000 VACrms	LESS 2 msec	LESS 2 msec	LESS 15 PF	100 g
SDD-200A040S-1	200 V/μsec	2.0Vrms	10 ⁹ Ω	4000 VACrms	4000 VACrms	LESS 2 msec	LESS 2 msec	LESS 15 PF	100 g
SDD-200A050S-1	200 V/μsec	2.0Vrms	10 ⁹ Ω	4000 VACrms	4000 VACrms	LESS 2 msec	LESS 2 msec	LESS 15 PF	100 g
SDD-200A075S-1	200 V/μsec	2.0Vrms	10 ⁹ Ω	4000 VACrms	4000 VACrms	LESS 2 msec	LESS 2 msec	LESS 15 PF	100 g

Parts No.

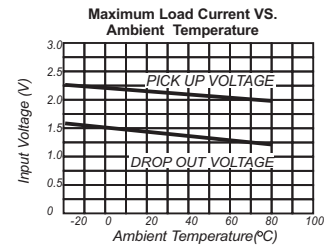
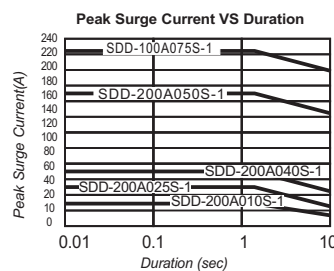
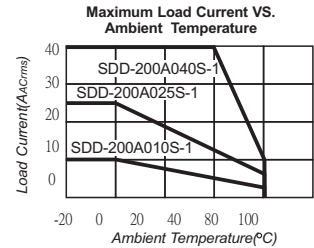
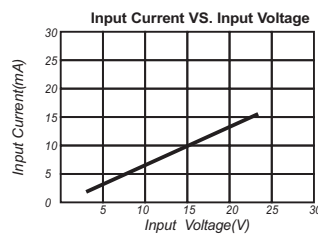
SDD-200 A010 S-1

Packing : 1 = Screw Type
 Phase : S = Single Phase
 Loading Current : 010 = 10A, 025 = 25A, 040 = 40A, 050 = 50A, 075 = 75A
 Control Voltage : A = 3-32VDC
 Loading Voltage : 200 = 5~240VDC
 Control Type : DD = DC Control DC
 S = S.S.R

Outline Dimensions(Unit : mm)



Characteristic Curves



Equivalent Circuit

